

UNIVERSAL DOOR SYSTEMS

Convenience and Speed Come Standard with
NORCO Electric DOOR WHEELERS



UNIVERSAL DOOR SYSTEMS

NORCO ELECTRIC DOOR WHEELER



Continuously Exceeding Industry Standards Unsurpassed Technical Features

Norco Electric Door Wheeler

- New or retrofit to ANY existing door
- Maintaining the structural integrity of the door, the unit has a 3 bolt surface installation, requiring no cutting
- External mounting allows for a fast and simple visual inspection and easy maintenance
- Reduces heating bills by 15-20%
- Eliminates manual pushing and pulling of heavy doors
 - Complete system includes pre-wired controls, overhead electrical kit and all door hardware
- Positive inside security lock, no individual door locks required
- Service proven world-wide since 1962



- The control panels are wired to receive 240 1-phase or 208/240/480 3-phase system voltages. Features include push button controls, an automatic starter and thermal disconnect switch. All unit control circuits conform to U.S. Electric Codes. Foreign Electrical variations are also available.
- High torque motors with maintenance free sealed ball and roller bearings.
- The modular-type gear train is rugged and dependable with a completely enclosed drive chain. The motor, gearbox and wheel bearings are maintenance-free for 7-10 years and are made to AGMA standards.
- The heavy-duty, tractor style tire is designed for extreme load conditions and total tire traction.
- A sealed hub gives automotive bearings a long life and reduces the need of lubrication to every 10 years.
- The toe guard meets O.S.H.A. standards for safety control.

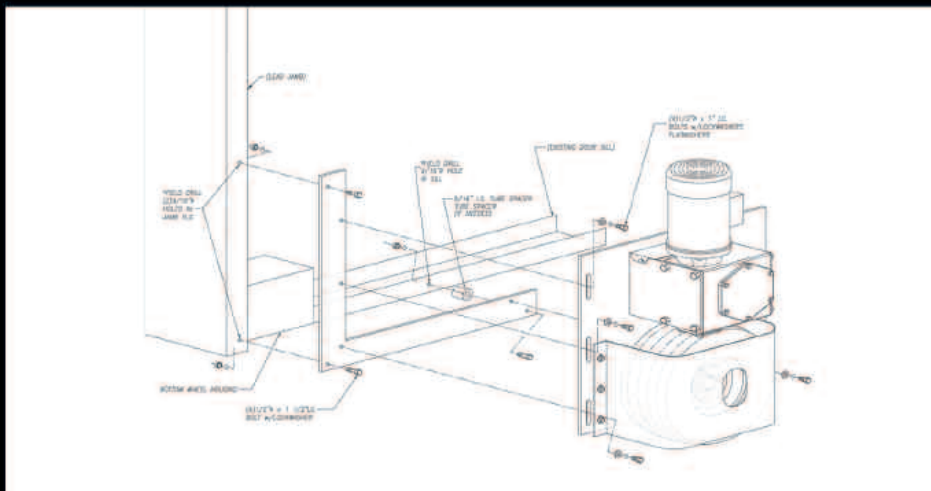
P.O. BOX 246 • Franksville, WI 53126 USA

Ph. 262.835-2600 • Fax 262.835-2660

www.norcomfg.com • E-mail - sales@norcomfg.com

UNIVERSAL DOOR SYSTEMS

NORCO



12 Door Wheeler Models Available



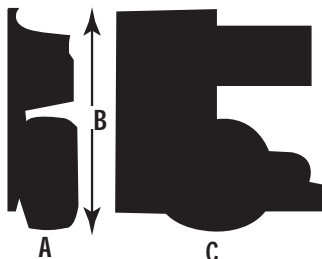
Type A – This model is mounted externally and features a weather shroud for protection from the elements. Controls are mounted inside the door for convenience of use.

Type C – Model C was developed to conform to Military Specifications.

Type D – This model meets all U.S. Electrical Code Specifications for facilities that are set up to store and maintain fueled aircraft.

DIMENSIONS

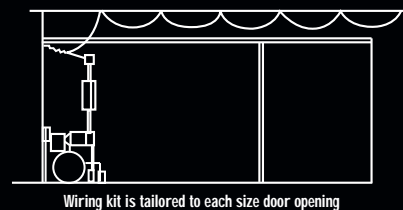
MODEL	A	B	C
75	10"	29"	29"
100	10"	29"	29"
150	10 1/2"	29"	29"
200	10 1/2"	29"	30"
300	12 1/2"	29"	30"
500	14"	53"	31"



Model C is completely enclosed and features a fan-cooled motor. It is proven to be explosion proof up to 5 feet and is applicable to most military installations.

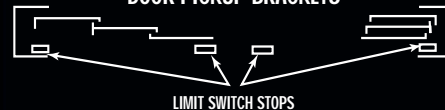
Model D is also completely enclosed, featuring a fan-cooled motor. Proven explosion proof up to 18 inches, this model is applicable to most corporate and commercial installations.

CUSTOM DESIGNED, OVERHEAD WIRING SAFETY KIT



Wiring kit is tailored to each size door opening

DOOR PICKUP BRACKETS



Custom tailored pickup brackets, which work together to open and close doors, are supplied with each unit. These brackets will not disturb the weather seal and are precisely arranged with the door wheeler to ensure an automatic door lock in the fully closed position.

P.O. BOX 246 • Franksville, WI 53126 USA

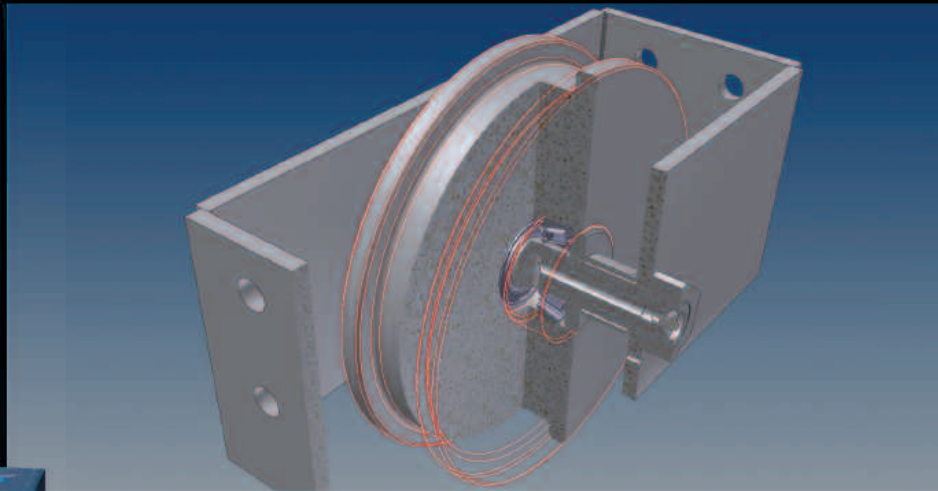
Ph. 262.835-2600 • Fax 262.835-2660

www.norcomfg.com • E-mail - sales@norcomfg.com

UNIVERSAL DOOR SYSTEMS



Continuously Exceeding Industry Standards
Norco Hardware



Turnkey

By choosing Norco Hardware to be your hardware supplier, you are given the attention to detail and engineered solution that you need. Norco Hardware is custom designed to have the simple installation and reliability that you should expect from a world class manufacturer.



With over 45 years of being the premier choice in airplane hangar doors, we bring to our customers the experience and cutting edge technology that has brought Norco to the forefront of the door systems industry. All of our hardware is designed using the latest 3D modeling methods and manufactured on high precision CNC machining centers to ensure the highest degree of quality. Our hardware is custom matched to your need to make sure that your system works as reliably as it should.

Bottom Rollers

We stock a wide range of bottom roller wheels that are suitable for almost any application. Our proven engineering and design team will work with you to make sure that the wheel on your door is the only wheel that you need.

Top Guides

Our Top Guides are designed to accommodate a variety of top track systems. We can provide single and double wheel "Pancake" type rollers, I-Beam and angle guided door systems. We also offer I-Beam trolleys designed for top hung door applications through 10 Tons.

Accessories

We also offer a range of door accessories including; Door Pulls, Cane bolts, Lock-down systems, Door Stops and more.

P.O. BOX 246 • Franksville, WI 53126 USA

Ph. 262.835-2600 • Fax 262.835-2660

www.norcomfg.com • E-mail - sales@norcomfg.com

UNIVERSAL DOOR SYSTEMS



Norco Replacement Seal Packages



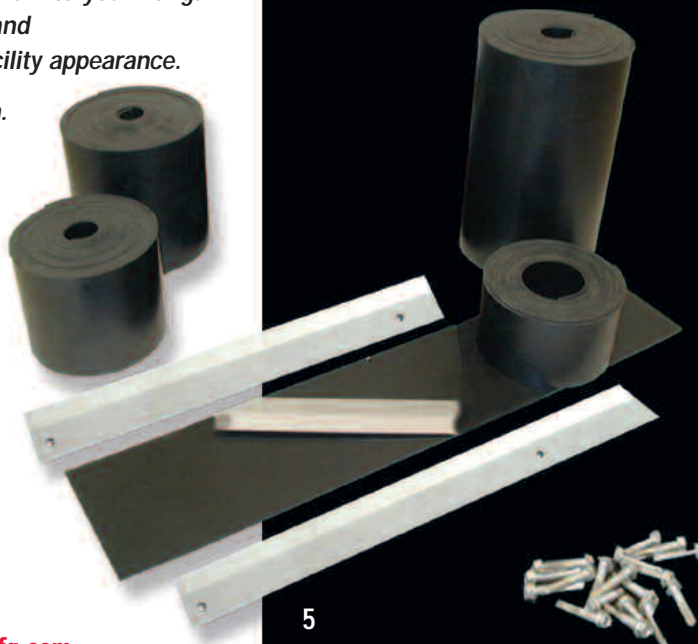
Worn weather seals can allow wind, rain, birds, and more into your hangar. Replacing the seals on your door will protect your airplane and facility from the elements, reduce utility costs, and improve facility appearance.

Each replacement package is custom made for your application. Seal kits fit both bi-fold and rolling door systems by any manufacturer. Our kits include all the necessary hardware for mounting the new seals.

Our seals are made from high quality nylon fabric reinforced neoprene, and are available in a range of thicknesses.

The included seal retainers are made from corrosion resistant galvanealed 14 gauge steel and prepunched for ease of installation

Also included are tek-3 or tek-5 self tapping fasteners.



P.O. BOX 246 • Franksville, WI 53126 USA
Ph. 262.835-2600 • Fax 262.835-2660

www.norcomfg.com • E-mail - sales@norcomfg.com

UNIVERSAL DOOR SYSTEMS



Continuously Exceeding Industry Standards
Norco On-Site Services



- **Hardware upgrades**
- **Electrical operator retrofitting**
- **Seal replacement**
- **New door systems**

With over 45 years of experience in the hangar door industry Norco has the expertise to assist you with even the most challenging installation requirements.

We offer installation services which can include hardware upgrades, electrical operator retrofitting, seal replacement, or even a completely new door system. Call us today to discuss how we can help your facility operate in the most efficient manner possible.

P.O. BOX 246 • Franksville, WI 53126 USA
Ph. 262.835-2600 • Fax 262.835-2660

www.norcomfg.com • E-mail - sales@norcomfg.com

UNIVERSAL DOOR SYSTEMS

NORCO



WORLDWIDE APPLICATIONS

- Airline •
- Commercial •
- Military •
- Corporate •
- Architectural •
- Special Applications •
- Industrial •

UNIVERSAL DOOR SYSTEMS

AIRLINE



United Airlines - Logan International - Boston, MA

Products, Processes & Performance

Six major steps are involved in setting parameters for design and construction.

1. Preliminary conference
2. Schematic design
3. Design development
4. Contract documents
5. Bidding
6. Building construction.

During the preliminary conference, architectural renderings are prepared, project decisions are made and initial drawings with specifications are submitted. The concept of a Universal Door System® allows Norco's technology to be modified and customized for any application.



240' W x 55' H, 10-leaf, bi-parting Door System with tail door

Norco Manufacturing Corporation, a world renowned company, is committed to exceed the expectations of its customers. For over 40 years, Norco Universal Door Systems have set the highest standard of quality in the industry for bottom rolling doors. Norco's product line has produced many unique door systems, integrating both leading-edge technology and innovative design. Always welcoming new challenges, Norco continues its advancement with creative engineering and ingenuity to manufacture the highest quality door system for its customers.

Decades of working with a full range of architects, engineers and building manufacturers has given Norco's engineers in-depth knowledge and extensive experience. Norco's computer generated designs ensure precise planning and structural integrity. Norco has the capability to provide door systems that not only exceed all operational requirements, but achieve aesthetic specifications as well.

Each door system order is spearheaded by one engineer who manages that single project from start to finish.



P.O. BOX 246 • Franksville, WI 53126 USA
Ph. 262.835-2600 • Fax 262.835-2660

www.norcomfg.com • E-mail - sales@norcomfg.com

UNIVERSAL DOOR SYSTEMS

COMMERCIAL / MILITARY



Global Express Completion Center - Windsor Locks, CT

128th Air Refueling Group -
ANG Hangar



113' W x 29'H, 6-single panel Floating Door Systems

The Global Express Completion Center at Bradley International Airport in Windsor Locks, Connecticut required a hangar capable of accommodating multiple aircraft of various types and sizes. Norco designed and manufactured six full floating door systems, each panel measuring 113' wide by 29' high. Four door systems are located on the front of the building and two door systems on the back.

Each door panel is individually controlled and operated, accommodating either small or large aircraft as required. The flexibility of this door system enables this facility to operate more efficiently as well as save energy.

Aware of construction and operating costs and a minimized building area, Norco engineers employed efficient form and function to design this door system for the 128th Air Refueling Group ANG, located at Milwaukee, Wisconsin's Mitchell International Airport.

A 195' wide by 43' high Norco Universal Door System, comprised of eight leaves, bi-parting, is utilized in the facility. In addition, a tail door, 20' wide by 20' high, will accommodate any future replacement planes.

P.O. BOX 246 • Franksville, WI 53126 USA

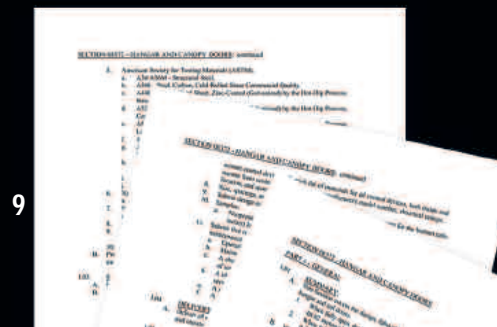
Ph. 262.835-2600 • Fax 262.835-2660

www.norcomfg.com • E-mail - sales@norcomfg.com



Products, Processes & Performance

During the design development phase of the construction process, basic design elements are finalized, products and materials are examined, and specifications are refined. Norco engineers provide individualized consultation concerning everything from product characteristics to type and size of material applications. Following a successful development phase, contract documents are confirmed and approved.



UNIVERSAL DOOR SYSTEMS

ARCHITECTURAL / CORPORATE



Connecticut Centre for the Performing Arts



Products, Processes & Performance

During the design development phase of the construction process, basic design elements are finalized, products and materials are examined, and specifications are refined. Norco engineers provide individualized consultation concerning everything from product characteristics to type and size of material applications. Following a successful development phase, contract documents are confirmed and approved.



Corporate Flight Alternatives - Dayton International - Ohio



198' W x 28' H, 8-leaf, bi-parting Door System

Corporate facilities commonly require door systems that not only accomplish operational needs, but also enhance the aesthetic appeal of the building. A Norco designed bi-parting, northern stack door system complements the beautiful architectural features of this facility.

With Norco's door system, function also plays an important role. By definition, the rails of a northern stack door system run along the inside of the facility, greatly increasing the life of the door and preparing it for inclement Ohio weather. With energy efficiency always in mind, interior insulated panels were also installed to prevent energy loss.

Functional versatility and flexibility are two of Norco's strengths. This Norco Door System is designed to allow the Connecticut Centre for the Performing Arts to operate as either an open-air amphitheatre or an enclosed theatre depending on the season. Fifteen, 35' Wide by 30' High, individually retractable panels dramatically create a 525' wide by 30' high opening.

With each Universal Door System, Norco Manufacturing has proven to be a leader and innovator in the door industry, and is committed to delivering the highest quality product to its customers.

P.O. BOX 246 • Franksville, WI 53126 USA

Ph. 262.835-2600 • Fax 262.835-2660

www.norcomfg.com • E-mail - sales@norcomfg.com